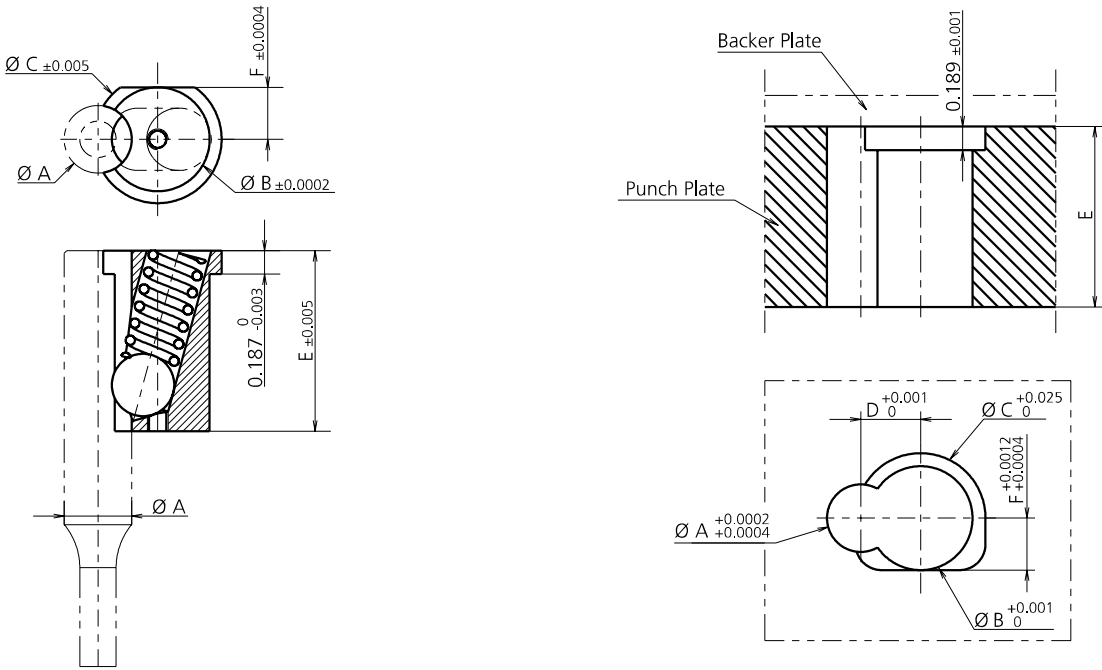
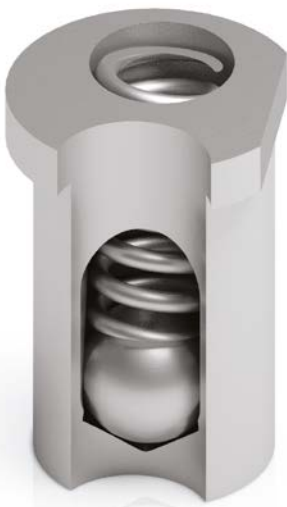


# 1053 - INSERTO DI FISSAGGIO PER BALLOCK HEAVY DUTY - INCH

FIXTURE DEVICE FOR BALLOCK HEAVY DUTY - INCH / BEFESTIGUNGSVORRICHTUNG FÜR BALLOCK HEAVY DUTY - INCH  
 INSERT DE FIXATION POUR BALLOCK HEAVY DUTY - INCH



MODEL	Ø A	Ø B	Ø C	D	E	F
1053.0037	0.375"	0.6255"	0.735"	0.375"	1.38"	0.3127"
1053.0050	0.5"	0.813"	0.98"	0.48"	1.38"	0.4065"
1053.0062	0.625"	0.813"	0.98"	0.543"	1.38"	0.4065"
1053.0075	0.75"	0.813"	0.98"	0.605"	1.38"	0.4065"
1053.0087	0.875"	0.813"	0.98"	0.668"	1.38"	0.4065"
1053.0100	1"	0.813"	0.98"	0.73"	1.38"	0.4065"
1053.0125	1.25"	0.813"	0.98"	0.855"	1.38"	0.4065"



MODELLO D'ORDINE / ORDER EXAMPLE / BESTELLBEISPIEL / MODÈLE DE COMMANDE

MODEL **1053** Ø DIAMETER PUNCH **0050 (0.5")**